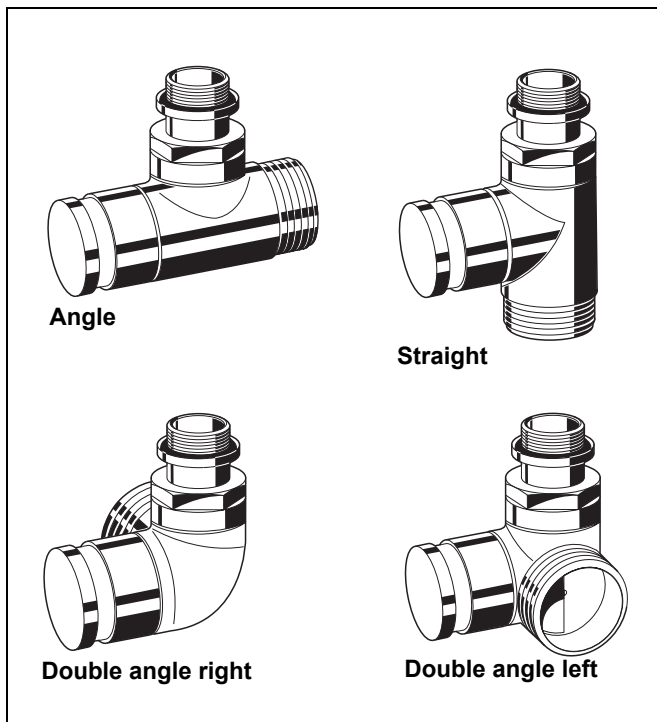


## V2480 - Verafix Design Thera Design Edition - Lockshield Valve

WITH HIGH QUALITY SURFACE FOR DESIGN RADIATORS

### PRODUCT DATA



### Application

The new Thera Design Edition is particularly styled for use with design radiators. With their high class appearance they perfectly fit to all kinds of ambients.

Verafix Design lockshield valves are used to connect radiators and other heat exchangers to heating circuits of hydronic heating systems. They are installed at the return port of the radiator and offer a shutoff function to separate the radiator from the heating circuit, for example for renovating.

### Features

- Perfect finishing with high quality surface in chrome or white (RAL9016)
- Various versions in angle, straight and double angle available to fit a visual appealing installation
- Including a chromed tail piece with integrated O-ring
- Pre-settable
- Connection to all types of pipework

### Specifications

<b>Medium</b>	Water or water-glycol mixture, quality to VDI 2035
<b>pH-value</b>	8...9,5
<b>Operating temperature</b>	2...130°C (36...266°F)
<b>Operating pressure</b>	PN10
<b>Differential pressure</b>	max. 1 bar (14.5 psi) – max. 0.2 bar (2.9 psi) recommended for quiet operation
<b>kv(cv)-value</b>	1.18 (1.38)

### Design

The Verafix design lockshield valve consists of:

- Valve housing PN10, DN15 with
  - external thread connection on inlet
  - external thread connection with union-nut and radiator tail-piece on outlet
  - Pre-settable valve insert
- Protection cap

### Materials

- Valve housing made of brass with chrome or white (RAL 9016) surface
- Valve insert made of brass with EPDM O-rings and soft seals and stainless steel spindle
- Protection cap made of brass with chrome or white (RAL 9016) surface
- Union-nut and tailpiece made of chrome plated brass with EPDM O-ring

## Function

The Verafix Design connects the return of a radiator or heat exchanger to the heating loop and has the functions regulation and shutoff.

Regulation:

The flow can be regulated by pre-setting the valve to a certain value derived from the flow diagrams.

### Please Note:

- To avoid stone deposit and corrosion the composition of the medium should conform with VDI-Guideline 2035
- Additives have to be suitable for EPDM sealings
- System has to be flushed thoroughly before initial operation with all valves fully open
- Any complaints or costs resulting from non-compliance with above rules will not be accepted by Honeywell
- Please contact us if you should have any special requirements or needs

## Application Examples

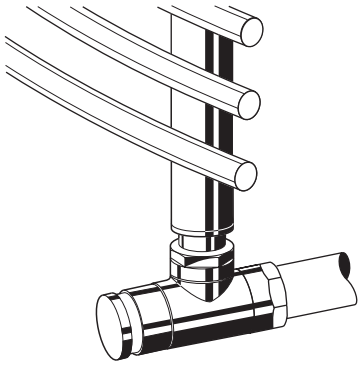


Fig. 1. Angle version

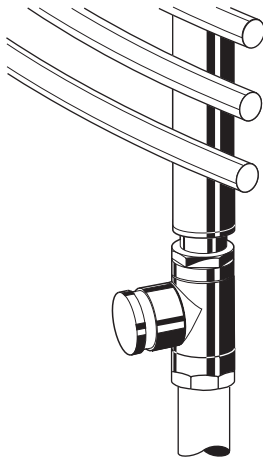


Fig. 2. Straight version

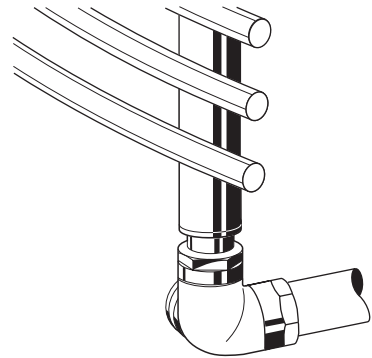


Fig. 3. Double angle version

## Dimensions

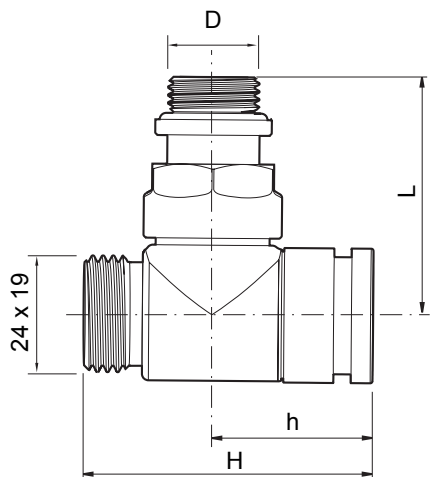


Fig. 4. Angle

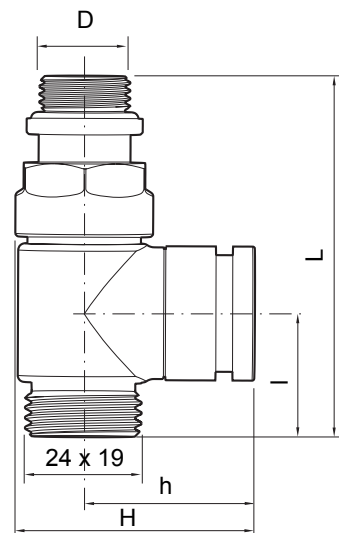


Fig. 5. Straight

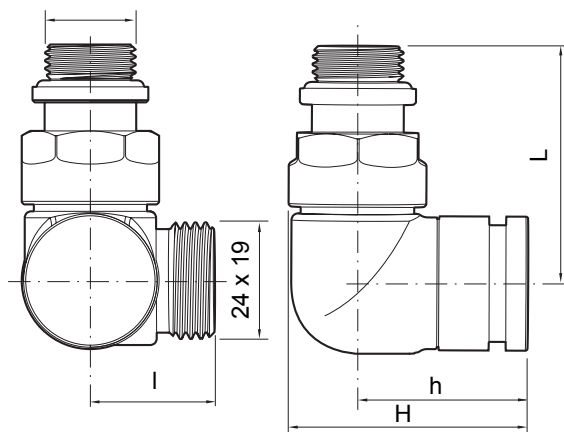


Fig. 6. Double angle

## Ordering Information

Table 1. Dimensions and OS-Nos (OS=Ordering System)

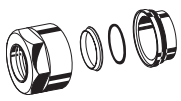
Body type	DN	k <sub>vs</sub> (cv)-value	l	L	h	H	D	OS-No.
White, angle	15	1.18 (1.38)		55	37	63	Rp 1/2"	V2481E0015
Chrome, angle	15	1.18 (1.38)		55	37	63	Rp 1/2"	V2482E0015
White, straight	15	1.18 (1.38)	26	81	40	55	Rp 1/2"	V2481D0015
Chrome, straight	15	1.18 (1.38)	26	81	40	55	Rp 1/2"	V2482D0015
White, double angle right	15	1.18 (1.38)	26	55	40	56	Rp 1/2"	V2481R0015
Chrome, double angle right	15	1.18 (1.38)	26	55	40	56	Rp 1/2"	V2482R0015
White, double angle left	15	1.18 (1.38)	26	55	40	56	Rp 1/2"	V2481L0015
Chrome, double angle left	15	1.18 (1.38)	26	55	40	56	Rp 1/2"	V2482L0015

NOTE: All dimensions in mm unless stated otherwise.

## Accessories

### Pipe Connections

#### Connection for copper pipe (1 pcs.)



24 x 19 x 12mm	VA720C1200
24 x 19 x 14mm	VA720C1400
24 x 19 x 15mm	VA720C1500
24 x 19 x 16mm	VA720C1600

#### Connection for PE-X pipe (1 pcs.)



24 x 19 x 12 x 1,1mm	VA721C1211
24 x 19 x 14 x 2mm	VA721C1420
24 x 19 x 16 x 1,5mm	VA721C1615
24 x 19 x 16 x 2mm	VA721C1620
24 x 19 x 18 x 2mm	VA721C1820

#### Connection for multilayer pipe (1 pcs.)



24 x 19 x 14 x 2mm	VA722C1420
24 x 19 x 16 x 2mm	VA722C1620
24 x 19 x 18 x 2mm	VA722C1820
24 x 19 x 20 x 2mm	VA722C2020

### Valve Accessories

#### Rosette white (RAL9016) for wall covering



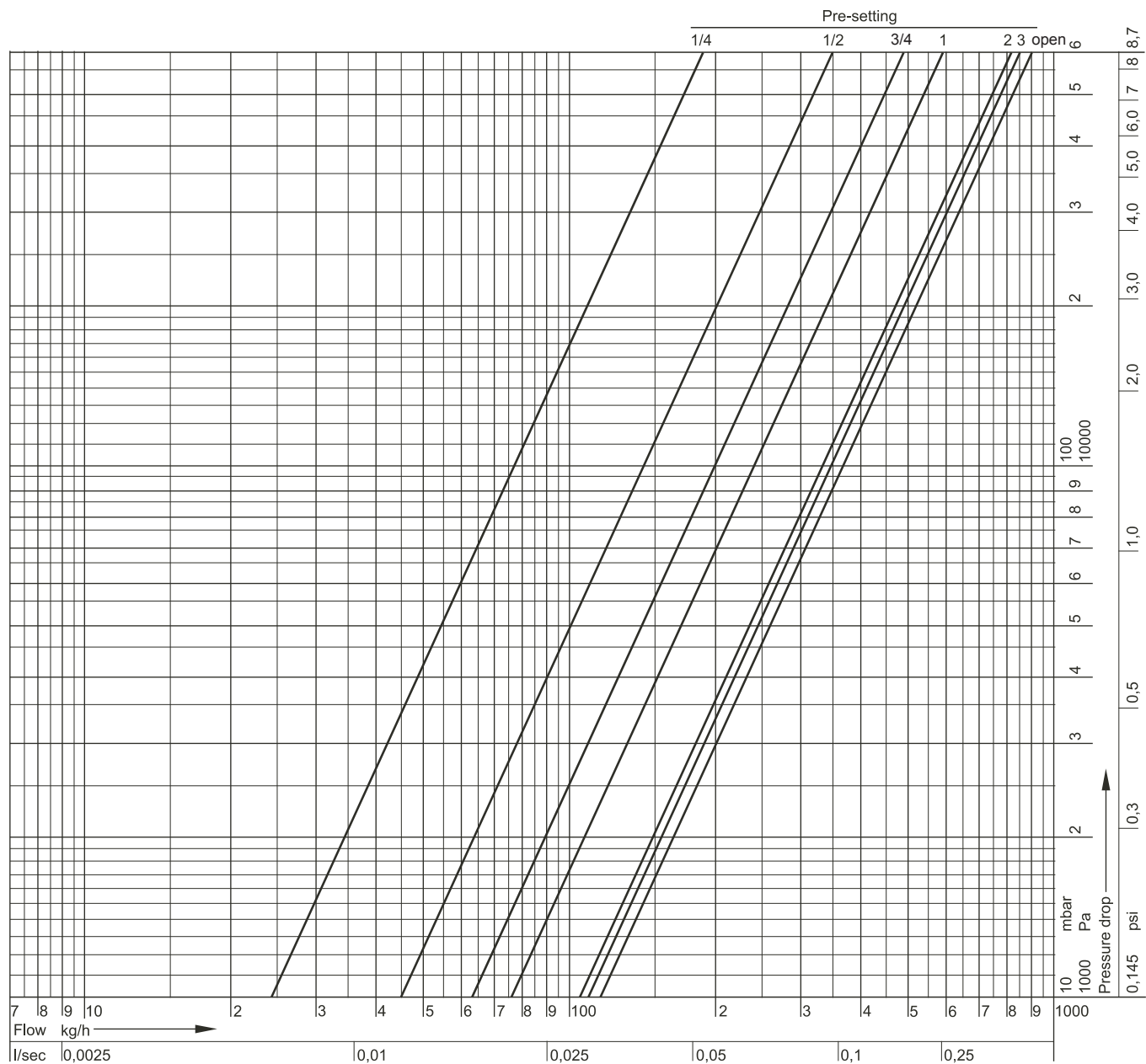
Ø40 x 12mm	VA2201D012
Ø40 x 14mm	VA2201D014
Ø40 x 15mm	VA2201D015
Ø40 x 16mm	VA2201D016
Ø40 x 18mm	VA2201D018
Ø40 x 20mm	VA2201D020

#### Rosette chrome for wall covering



Ø40 x 12mm	VA2201E012
Ø40 x 14mm	VA2201E014
Ø40 x 15mm	VA2201E015
Ø40 x 16mm	VA2201E016
Ø40 x 18mm	VA2201E018
Ø40 x 20mm	VA2201E020

# Flow Diagram



Turns of pre-setting screw	1/4	1/2	3/4	1	2	3	k <sub>vs</sub> = open
k <sub>v</sub> -value	0.24	0.45	0.63	0.76	1.12	1.16	1.18
cv-value	0.28	0.53	0.73	0.89	1.31	1.36	1.37

NOTE: See chapter pre-setting for pre-setting instructions.

**Environmental and Combustion Control**

Honeywell GmbH

Hardhofweg

74821 Mosbach, Germany

Phone: +49 (6261) 810

Fax: +49 (6261) 81393

[www.honeywell.com](http://www.honeywell.com)

EN0H-2109GE23 R0408

April 2008

© 2008 Honeywell International Inc.

Subject to change without notice

Manufactured for and on behalf of the Environmental and Combustion Controls Division of Honeywell Technologies Sàrl, Ecublens, Route du Bois 37, Switzerland or its authorized representative.

**Honeywell**