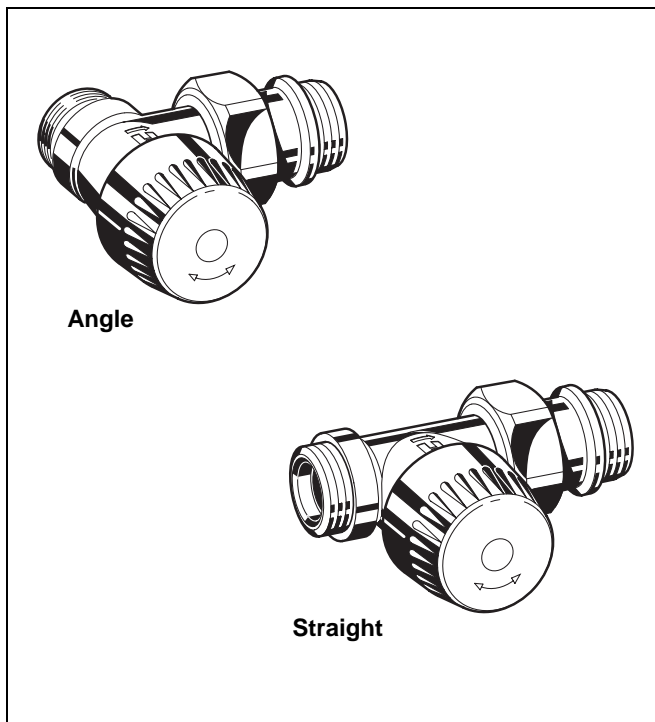


V305

MARS Series TRV Body

TRV BODY WITH STROKE LIMITATION, EXTERNAL THREADS

PRODUCT DATA



Application

Thermostatic radiator valve bodies (TRV bodies) are fitted on the supply or return of radiators or heat exchangers. Together with a radiator thermostat, for example the Thera-4, they control the room temperature by regulating the flow of hot water into the radiator. The temperature of different rooms is controlled individually and energy is saved.

TRV bodies of this type have quiet operation and are fitted to the supply or return of radiators on two-pipe systems with medium flow rates.

The valve insert can be replaced while the system is running and without draining using the service tool (see 'Accessories').

TRV bodies of this type are suitable for

- Honeywell radiator thermostats with M30 x 1.5 connection
- Certain Honeywell MT4 actuators
- Honeywell Hometronic HR80 and Roomtronic HR40 actuators

The MARS series is supplied with a protection cap. To convert the MARS series to thermostatic operation the protection cap is replaced by a radiator thermostat, e.g. Honeywell Thera-4.

Features

- Supplied with protection cap
- Bi-directional flow
- Pre-settable by stroke limitation
- For 1- and 2-pipe systems
- Standard M30 x 1.5 thermostat connection
- Connection to all types of pipework DN10 to DN15
- Quiet operation
- Tail piece with integrated O-ring

Design

The thermostatic radiator valve bodies consist of:

- Valve housing PN10, DN10 or DN15 with
 - M22 x 1.5 external thread connection on inlet
 - external thread connection with union-nut and radiator tail-piece on outlet
- Pre-settable valve insert
- Protection cap

Materials

- Valve housing made of nickel-plated brass
- Valve insert made of brass with EPDM O-rings and soft seals and stainless steel spindle
- Protection cap made of plastic
- Union-nut and tailpiece made of nickel plated brass with EPDM O-ring

Specifications

Medium	Heating water, water quality to VDI2035	
ph-value	8...9.5	
Operating temperature	max. 120°C (248°F)	
Operating pressure	PN10	
Differential pressure	max. 0.2 bar (2.9 psi) recommended for quiet operation	
k_{vs}(cv)-values	DN10	1.70 (1.99)
	DN15	1.85 (2.16)
Thermostat connection	M30 x 1.5	
Closing dimension	11.5 mm	
Stroke	2.5	

Function

Thermostatic radiator valves enable individual control of room temperature and thus save energy.

The TRV body is controlled by the radiator thermostat. Air from the room passing over the sensor of the radiator thermostat causes the sensor to expand when the temperature rises. The sensor acts onto the valve spindle and this causes the TRV body to close. When the temperature falls the sensor contracts and the spring-loaded valve spindle is opened. The TRV opens in proportion to the temperature of the sensor. Only the amount of water required to maintain the room temperature set on the radiator thermostat can flow into the radiator.

Please Note:

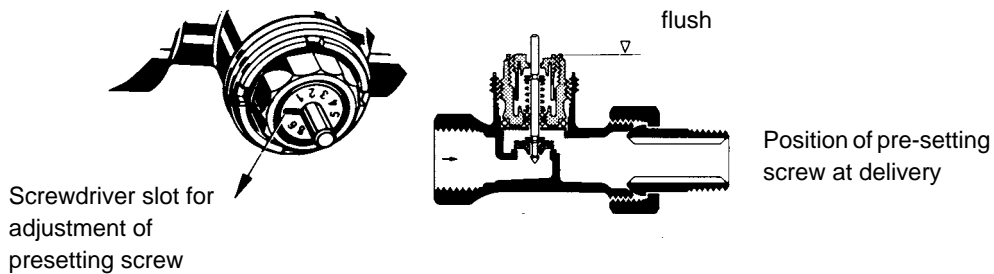
- To avoid stone deposit and corrosion the composition of the medium should conform with VDI-Guideline 2035
- Additives have to be suitable for EPDM sealings
- System has to be flushed thoroughly before initial operation with all valves fully open
- Any complaints or costs resulting from non-compliance with above rules will not be accepted by Honeywell
- Please contact us if you should have any special requirements or needs

Setting procedure

Turn the pre-setting screw until stop. Mark position of screwdriver slot as reference point. Then turn anticlockwise according to reference figure obtained from the pressure drop chart.

Reference figure 10 corresponds to 1 turn.

Reference figure 20 corresponds to 2 turns.



Dimensions and Ordering Information

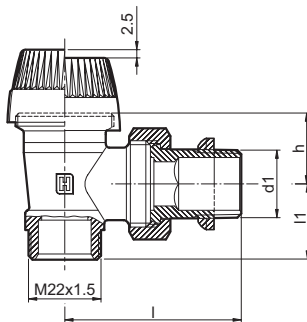


Fig. 1. Angle

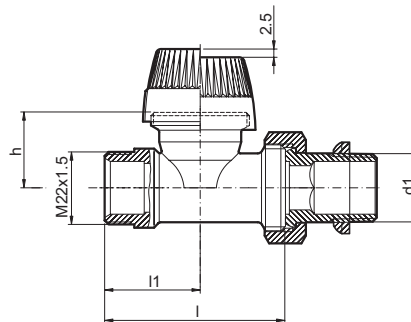


Fig. 2. Straight

Table 1. Available versions and OS-Nos (OS=Ordering System)

Versions	DN	k _{vs} -values	Dimensions					OS-No.
			d1	d2	l1	l	h	
Angle (Fig. 1)	10	1.70	3/8"	—	20	49	21.5	V305ESLGB10
	15	1.85	1/2"	—	23	53	21.5	V305ESLGB15
Straight (Fig. 2)	10	1.70	3/8"	—	25	75	23	V305DSLGB10
	15	1.85	1/2"	—	29	82	23	V305DSLGB15

NOTE: All dimensions in mm unless stated otherwise.

Accessories

Connections

Soft connection for copper pipe



M22 x 1.5 x 10 mm	VA720B1000
M22 x 1.5 x 12 mm	VA72B01200
M22 x 1.5 x 14 mm	VA720B1400
M22 x 1.5 x 15 mm	VA720B1500
M22 x 1.5 x 16 mm	VA720B1600

Connection for PE-X pipe



M22 x 1.5 x 12 x 1.1 mm	VA721B1211
M22 x 1.5 x 12 x 2 mm	VA721B1220
M22 x 1.5 x 14 x 2 mm	VA721B1420
M22 x 1.5 x 15 x 2.5 mm	VA721B1525
M22 x 1.5 x 16 x 1.5 mm	VA721B1615
M22 x 1.5 x 16 x 2 mm	VA721B1620
M22 x 1.5 x 16 x 2.2 mm	VA721B1622

Connection for multilayer pipe



M22 x 1.5 x 14 x 2 mm	VA722B1420
M22 x 1.5 x 16 x 2 mm	VA722B1620
M22 x 1.5 x 16 x 2.25 mm	VA722B1623

Service Parts

Valve insert



VS1200SLGB01

Handwheel



Pack of 10 pieces

H100-1/2D

Pressure cap – for shutting off valves on radiator outlet



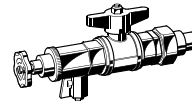
for valves DN10 (3/8")	VA2202A010
for valves DN15 (1/2")	VA2202A015

Sealing ring for pressure cap



for valves DN10 (3/8")	VA5090A010
for valves DN15 (1/2")	VA5090A015

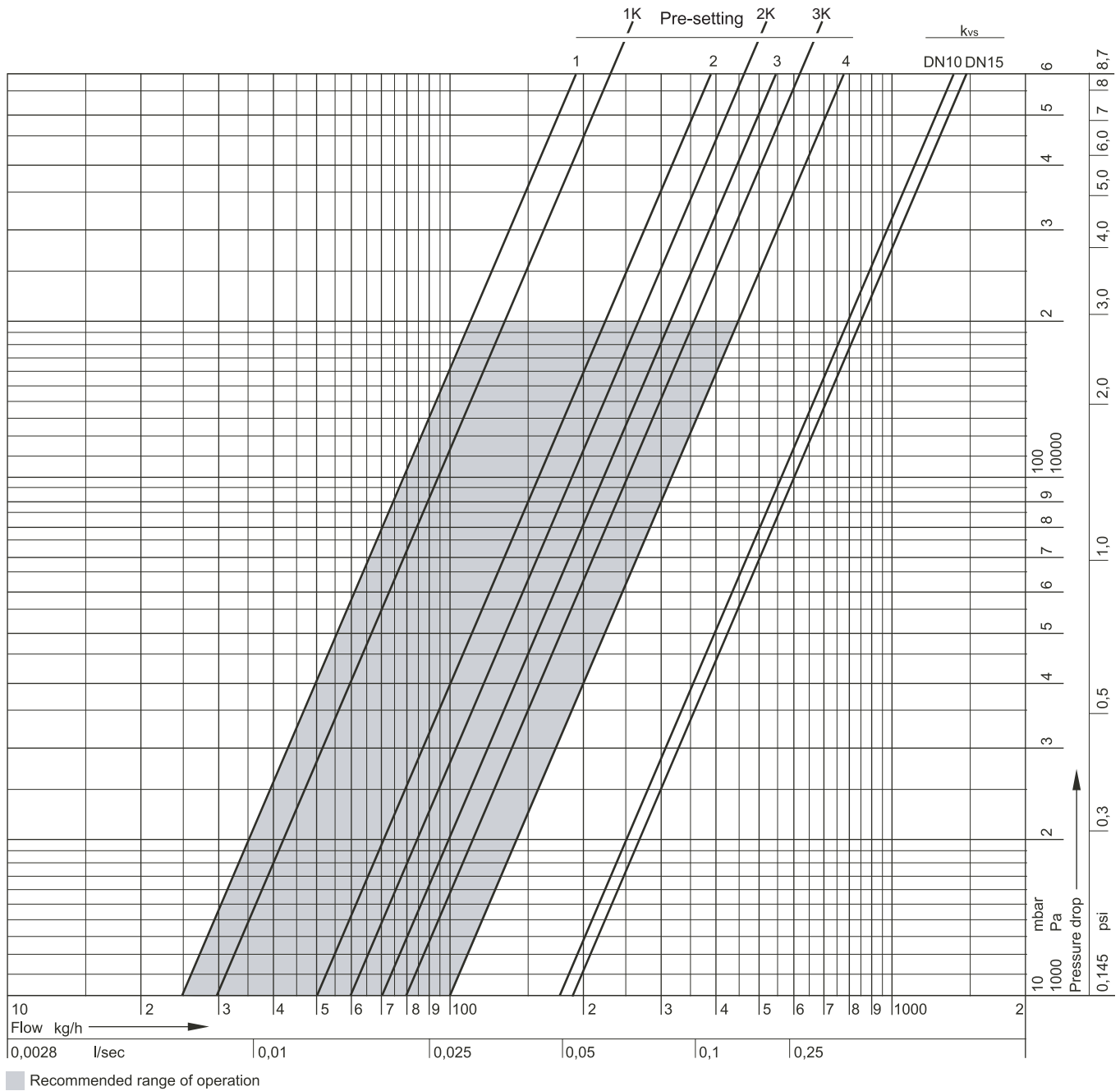
Service tool to replace valve insert



for all sizes

VA8200A001

Flow Diagram



Pre-setting	1	2	3	4	5	7	17.5 = open = kvs
k_{vs}(cv)-values for DN10	0.25 (0.29)	0.50 (0.59)	0.70 (0.82)	1.00 (1.17)	1.25 (1.46)	1.50 (1.76)	1.70 (1.95)
k_{vs}(cv)-values for DN15	0.25 (0.29)	0.50 (0.59)	0.70 (0.82)	1.00 (1.17)	1.25 (1.46)	1.50 (1.76)	1.85 (2.16)

NOTE: Pre-settings above 4 are unsuitable for operation with radiator thermostats and should only be used with actuators (open/close operation).

Automation and Control Solutions

Honeywell GmbH
 Hardhofweg
 74821 Mosbach, Germany
 Phone: +49 (6261) 810
 Fax: +49 (6261) 81393
 www.honeywell.com

EN0H-2116GE25 R1106
 November 2006
 © 2006 Honeywell International Inc.
 Subject to change • All rights reserved
 Manufactured for and on behalf of the Environmental and Combustion
 Controls Division of Honeywell Technologies Sàrl, Ecublens,
 Route du Bois 37, Switzerland or by its Authorized Representative.

